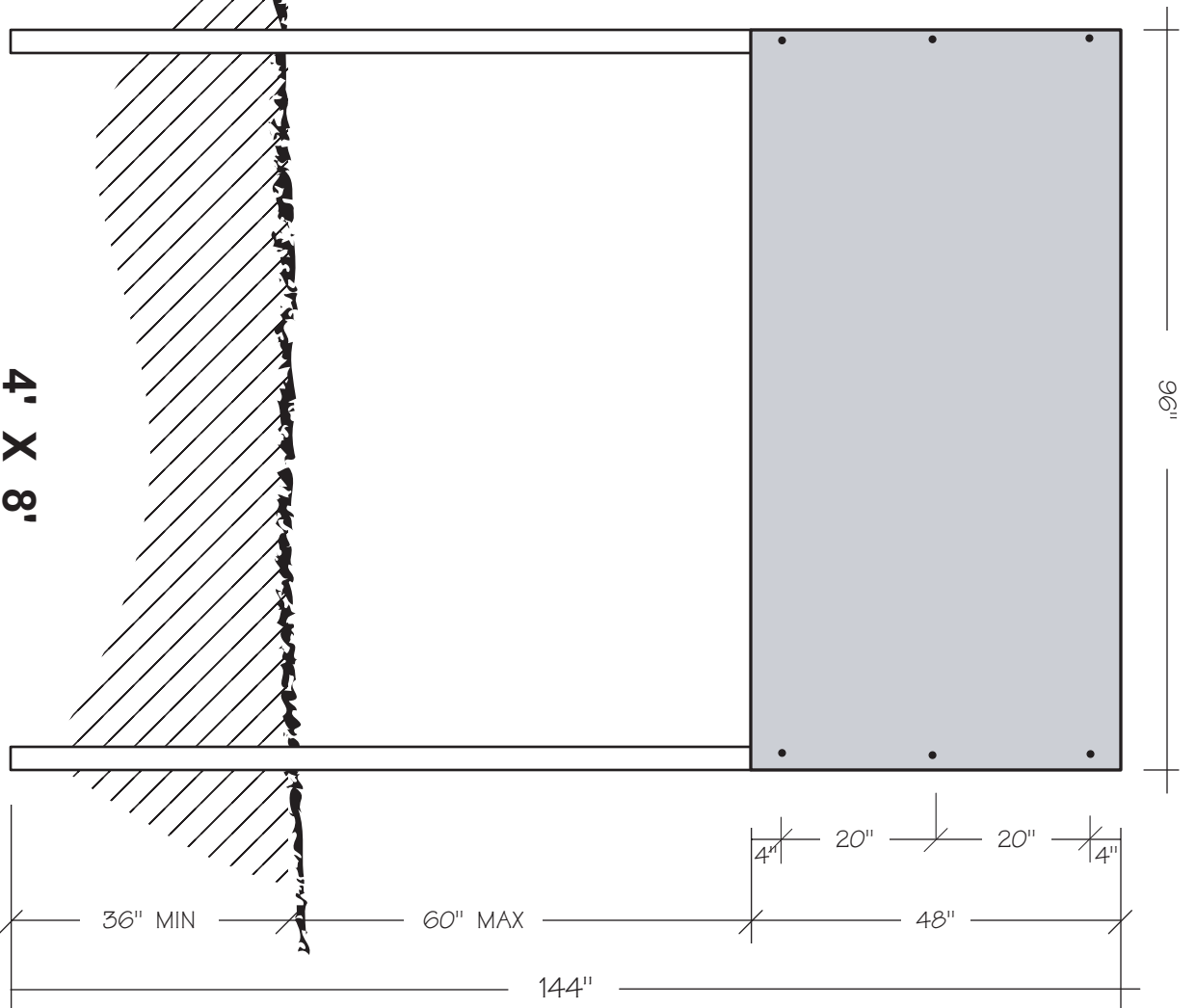
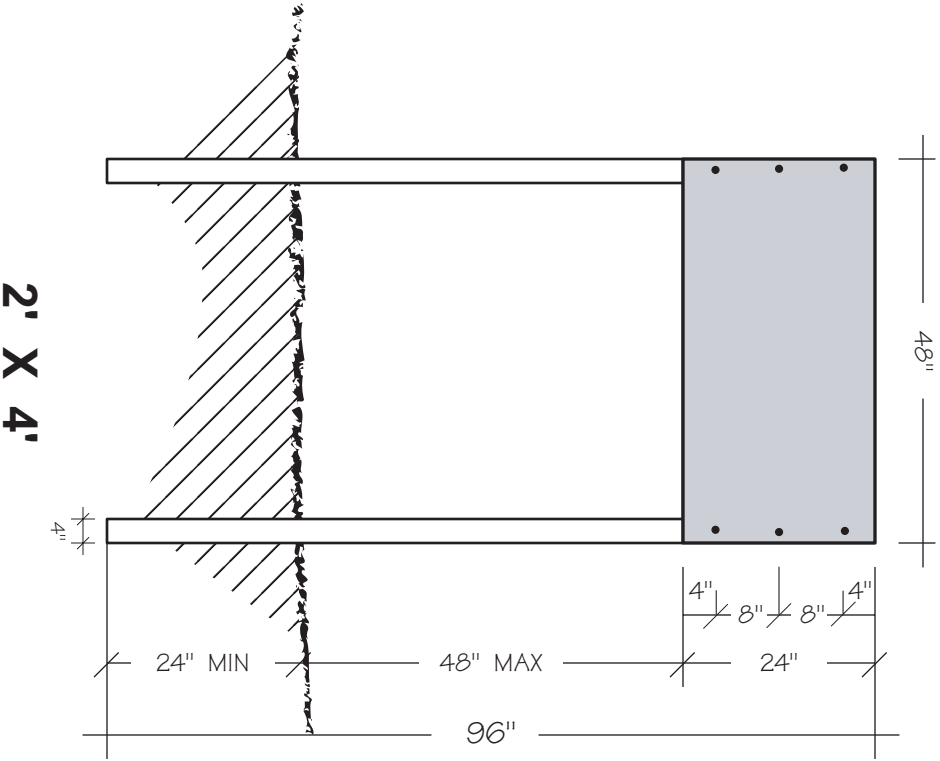


# PUBLIC INFORMATION SIGN Installation Instructions

SCALE: 1/2" = 1' - 0"



NOTES:

- 4" X 4" X 8' Posts
- 1/4" x 3" Galvanized Lag Bolts w/ Washers

NOTES:

- 4" X 4" X 12' Posts
- 1/4" x 3" Galvanized Lag Bolts w/ Washers

